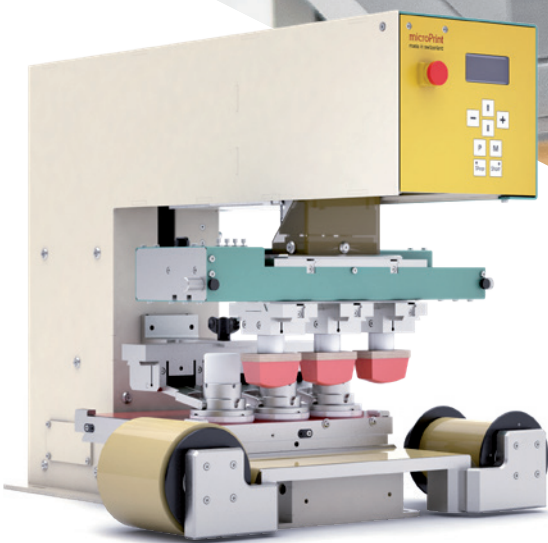




microPrint
made in switzerland

MAXIMUM RELIABILITY IN EFFICIENCY



Up to three
colours



Max. cup size
120 mm



X-Y position
adjustable by means
of cross table



Pneumatic
rotation around
1 axis



-



-

Smart Line

Smart 130 | Smart 250

Smart Line

Smart 130 | Smart 250

The Smart line features conventional pneumatic pad printing machines that can print up to three colours. It is available with open or closed inkwells. The print image is positioned mechanically by means of a cross table. The pad printing machines offer manifold possibilities for expansion: among other things, they can be equipped with pneumatic rotation or shuttling of the print object. They are operated using a membrane keypad with a text display. This cost-effective line is ideally suited as an entry-level model for commercial printing and industrial applications. Thanks to their design with a double cylinder, the machines in the Smart line achieve a particularly high printing force. The resulting weight reduction means that higher speeds can be achieved.

OUR ADVANTAGE:

Fast

Cost-effective

Expandable

Single-colour or multi-colour

Pad cleaning

Swivel plate



Images: Sample configurations

microPrint
made in switzerland



Applications

The Smart line pad printing machines can be used primarily as manual workstations. They are available both as table-top models and with a stand.

They are ideal for simple printing tasks, such as printing logos, text or graphics onto products in up to three colours. Due to their high printing force, even large images or N-up layouts are printed reliably.



Pad positioning

The pad moves pneumatically with fixed stops. The print object must be positioned using a cross table. The pad position can be freely adjusted mechanically by means of two dove tails. Pneumatic 2- or 3-colour pad shuttles are available for multi-colour printing. The 3-colour pad shuttle dispenses the ink at the centre. When printing two colours and using two separate cliché holders, the print image can be positioned freely in the X and Y direction, as well as at an angle.



Operation, software and interface

The Smart line is operated by means of a membrane keypad with a text display. It also features a digital interface, which enables simple automation functions or the connection of additional devices.

Various helpful special functions are available to simplify the setup of the machine, such as mixing the ink by moving the doctoring cup, printing on the cleaning tape or viewing the print image on the pad.



Inkwell

Using the closed inkwell system, printing procedures with up to three colours are possible with a cup size of 70 mm. If cup sizes 86 mm and 120 mm are used, a maximum of two colours can be printed. Alternatively, for longer print images, an oval cup can be used. Two cliché sizes are available: a large single cliché or two separate clichés with their own cliché holders. On request, Smart line machines can also be equipped with open inkwells.



Parts handling

The print object is manually inserted into the holder and positioned via the cross table. If printing two colours with a pad combination is not possible due to an interfering edge, 2-colour printing using a single pad is also possible. Multi-sided printing on the print object is made possible by pneumatic rotation in one axis. Using a swivel plate, the next part can already be inserted during the printing process.



Accessories

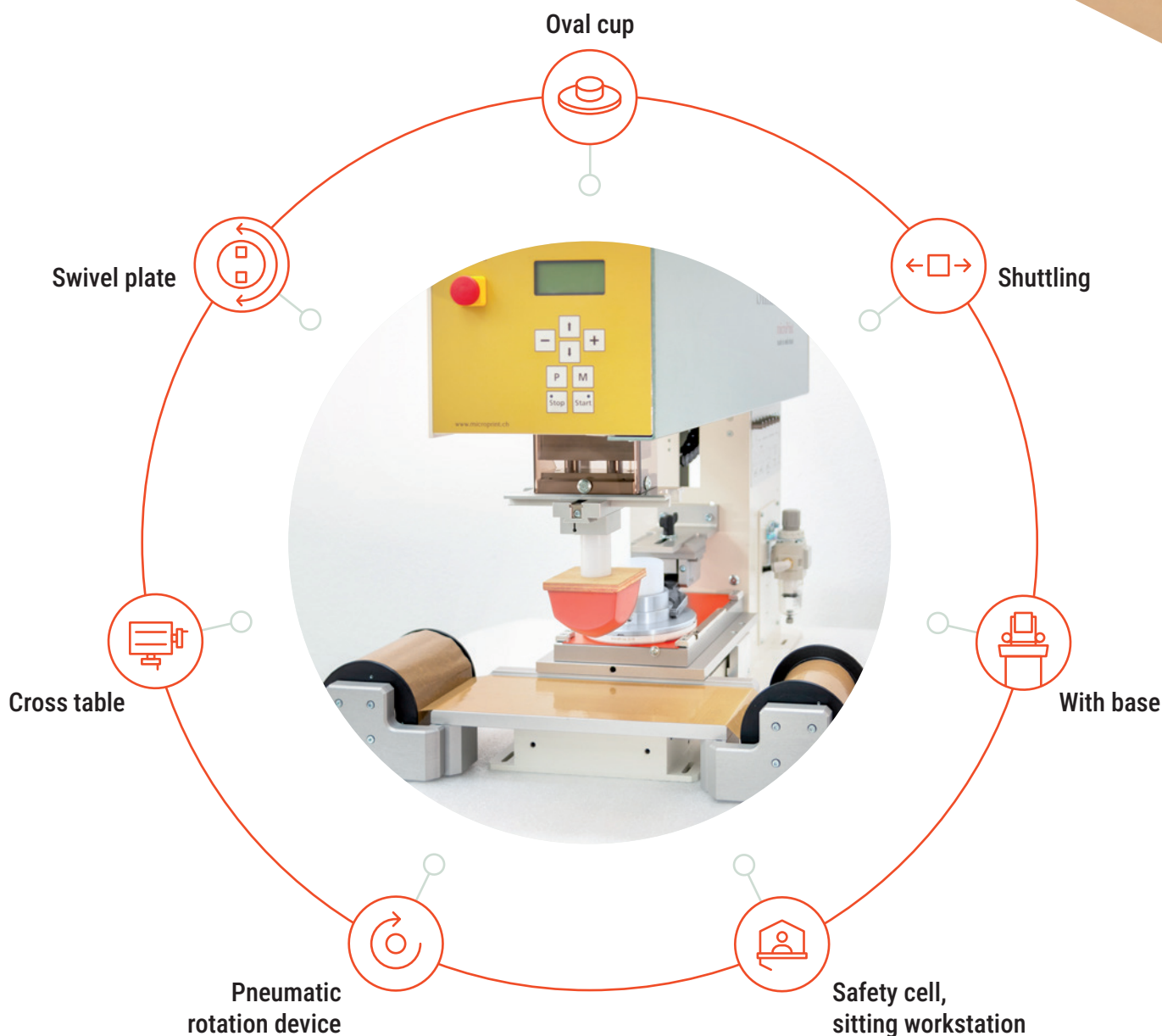
For an optimised workflow, we recommend pad cleaning. A base with a height-adjustable table or for table-top machines and a cross table round off the workstation. If required, it can also be equipped with a safety cell. Here, either a light barrier or two-hand operation is available.

ONE SOLUTION – **MANY** **POSSIBILITIES**

Are you looking for a cost-efficient solution to meet your needs?
The Smart line offers a broad range of configurations to meet your
specific needs, ensuring maximum precision, efficiency and versatility.



Further additional equipment and adaptations
available on request: info@microprint.ch





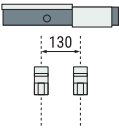
Smart 130 | Smart 250

Cup and cliché combinations

For each requirement, we offer many different combinations of cup and cliché. This means our machines are always perfectly adapted to each area of application.

Smart 250

**Pneumatic pad shuttling
SM 250**



Cliché:
260 x 250 mm

Cup:
2x ø120 mm

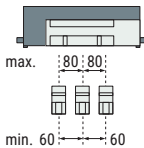


Cliché:
2x 130 x 250 mm

Cup:
2x ø120 mm



**Pneumatic pad shuttling
FT 2-3**



Cliché:
260 x 250 mm

Cup:
3x ø70 mm



Cliché:
260 x 250 mm

Cup:
2x ø120 mm



Cliché:
2x 130 x 250 mm

Cup:
2x ø120 mm



TECHNICAL DATA OVERVIEW

Machine series

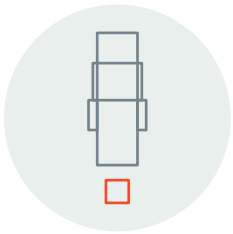
Smart Line

Machine types	Smart 130	Smart 250
Number of colours	1	1-3
Speed [cycles/h]	2,100 / 1,700 / 1,200 with pad cleaning	2,100 / 1,700 / 1,200 with pad cleaning
Drive – pad stroke	Pneumatic	Pneumatic
Cliché sizes max. [mm]	130 x 250 x 10/0.5	260 x 250 x 10/0.5
Cliché sizes max. open [mm]	150 x 120 x 10/0.5	250 x 120 x 10/0.5
Ink cup [number x Ø in mm]	1x56 / 1x70 / 1x86 / 1x120	3x70 / 2x86 / 2x120
Print image max. [Ø in mm]	46 / 52 / 60 / 110	46 / 52 / 60 / 110
Pad stroke – force [N]	960	960
Pad stroke – travel distance max. [mm]	80	80
Pad projection max. [mm]	69	69
Pad cleaning	optional: 115 mm wide	optional: 115 mm wide
Control	Microprocessor	Microprocessor
Thinning system	–	–
Weight without base [kg]	approx. 60	approx. 60
Air consumption [l/min]	116	116
Power supply	110 – 240V, 50/60Hz	110 – 240V, 50/60Hz

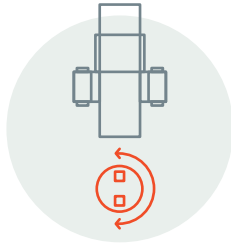
microPrint

made in switzerland

System options & details



Available without
pad cleaning



Swivel plate

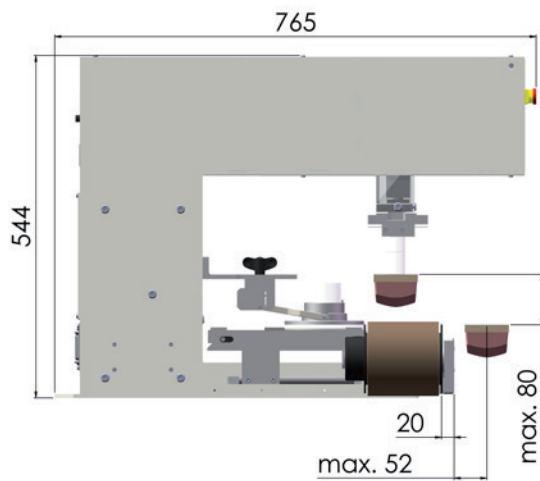
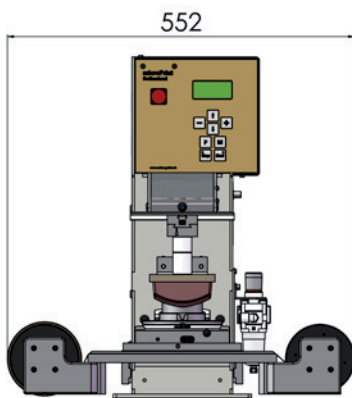


...



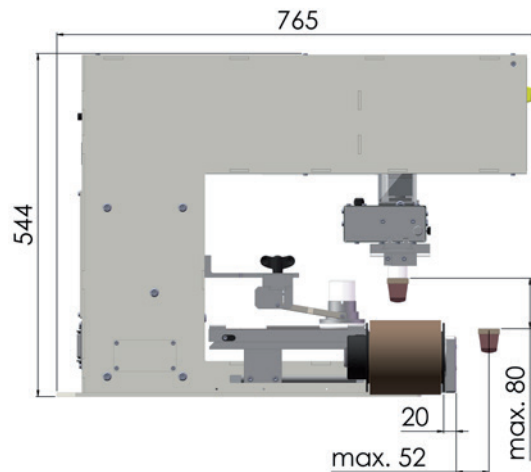
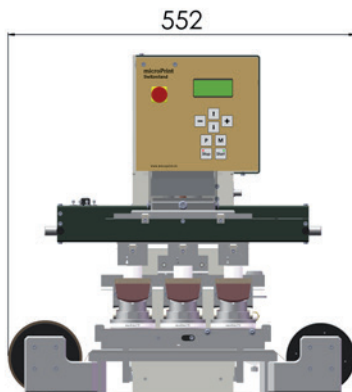
...

Smart 130



Download detailed
drawing as PDF file

Smart 250



Download detailed
drawing as PDF file

microPrint

made in switzerland



Since 1995, **microPrint** has been at the forefront of pad printing technology, consistently setting new standards and revolutionising the industry. Our team of experts is dedicated to developing innovative solutions tailored to meet the unique requirements of our clients. With extensive configuration options and a commitment to customised solutions, we deliver the ideal solution for every challenge.

Discover the microPrint advantage.

OUR GOAL:

Precision

Versatility

Innovation

Customised solutions

Flexibility

Efficiency



microPrint LC GmbH

Anthoptstrasse 9

CH-8222 Beringen

Phone: +41 52 624 50 59

Fax: +41 52 624 50 22

info@microprint.ch

[microprint.ch](https://www.microprint.ch)

